

Table of Contents

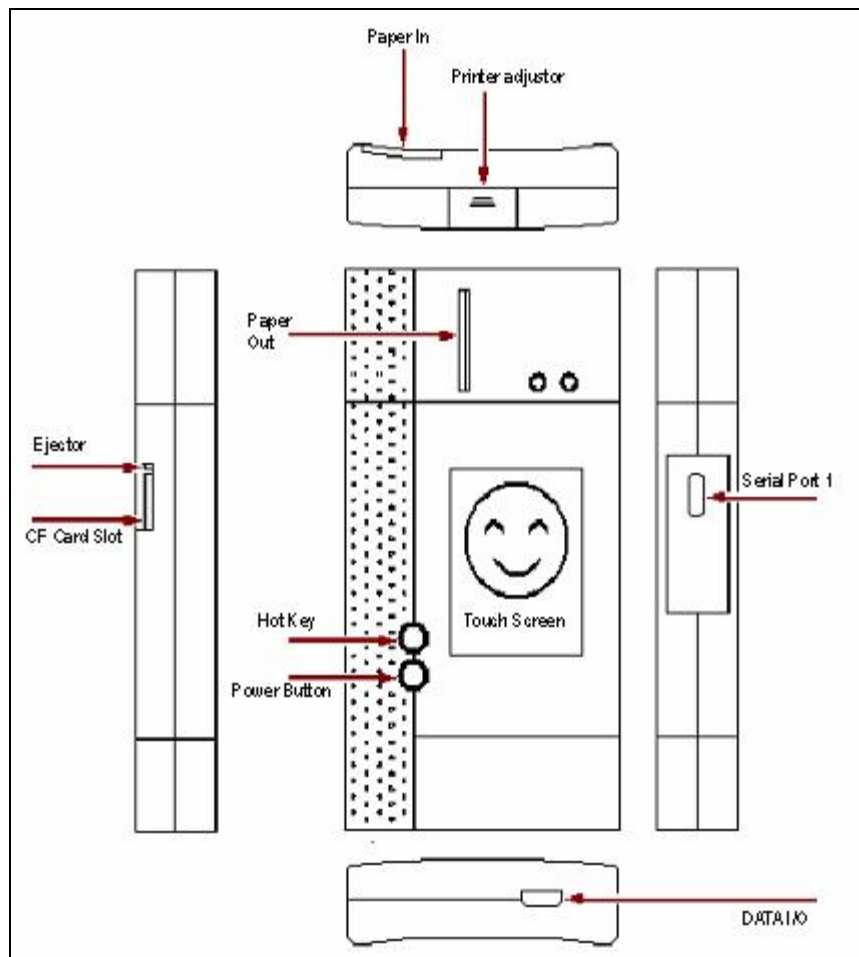
Introduction.....	2
Layout of X-431 and Parts List	2
Layout of X-431.....	2
Hardware Configuration.....	3
Parts List.....	3
Connectors List.....	4
Consumable Parts List.....	6
Accessories List.....	6

Introduction

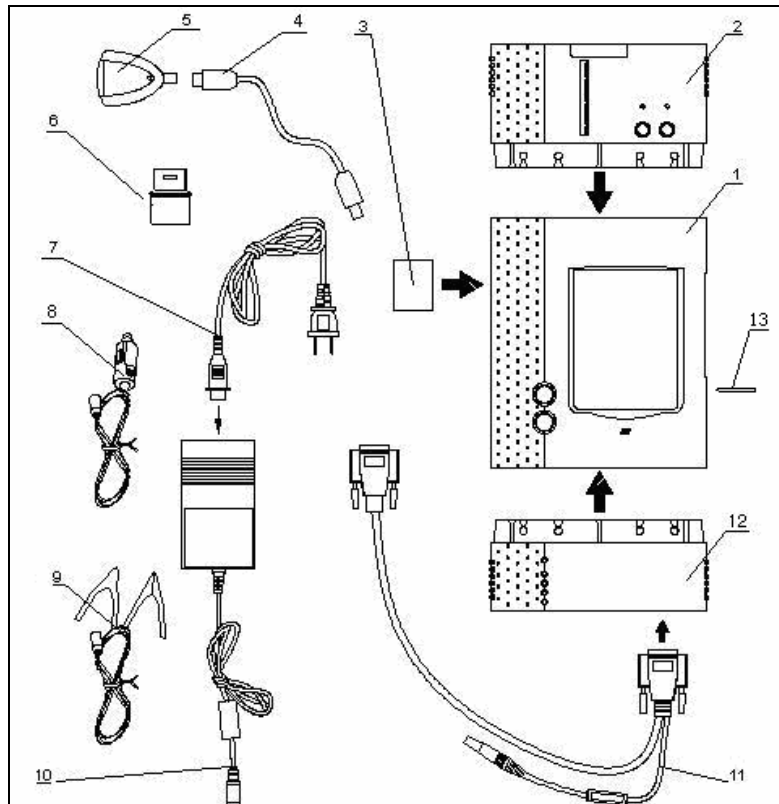
This manual mainly outlines: the layout of X-431, hardware configuration, diagnostic connectors list, consumable parts list and accessories list covering code, description and quantity. This manual is prepared for branches to provide better management of distribution, after-market service, parts, etc.

Layout of X-431 and Parts List

Layout of X-431



Hardware Configuration



Parts List

NO.	CODE	NAME	DESCRIPTION	QTY.
1	301020179	X-431 main unit	To display operation buttons, test result, help information, etc.	1
2	301020086	Miniprinter	To print test result. (optional)	1
3	108040035	CF card	To store diagnostic software and data	1
4	105020372	USB cable	To connect CF card reader/writer and computer	1
5	108040006	CF card reader/writer	To read or write data on the CF card	1
6	000000000	Diagnostic connector	Dozens of connectors are equipped for various vehicles. Here shows a typical one.	1
7	Y203010294	Power cord	To connect the AC 100-240V (50-60Hz) outlet and the power adapter.	1
8	Y203010243	Cigarette lighter cable	To get power from the vehicle cigarette lighter	1
9	Y203010271	Battery cable w/two clips	To get power from the vehicle battery	1
10	102210031	Power adapter	To convert 100-240V AC power into 12V DC power.	1
11	Y203010231	Main cable	To connect the diagnostic connector and SMARTBOX	1
12	301020145	SMARTBOX	To perform vehicle diagnosis	1
13	104010077	Stylus	To operate the buttons on every interface.	1

Connectors List

NO.	CODE	NAME	QTY.	FIGURE
1	203010415	SSANGYONG-14	1	
2	203010417	BENZ-14	1	
3	203010247	TOYOTA-17	1	
4	203010249	TOYOTA-22	1	
5	203010269	MITSUBISHI/HYUNDAI-12+16	1	
6	Y203010268	NISSAN-14+16	1	
7	203010226	HONDA-3	1	
8	203010263	MAZDA-17	1	
9	203010266	KIA-20	1	
10	Y203010219	AUDI-4	1	
11	203010224	BENZ-38	1	
12	Y203010272	LCDSS,SMART-3/UNIVERSAL-3	1	
13	203010223	BMW-20	1	
14	Y203010245	FIAT-3	1	

15	203010209	GM/VAZ-12	1	
16	Y203010250	FORD-6+1	1	
17	203010275	SMARTOBD II -16	1	
18	203010260	CHRYSLER-6	1	
19	Y203010261	SUZUKI-3	1	
20	Y203010267	ISUZU-3	1	
21	Y203010259	JMC-16	1	
22	Y203010236	DAIHATSU-4	1	
23	Y203010277	CITROEN-2	1	
24	203010257	MAZDA-17+2	1	
25	Y203010258	MAZDA-17F	1	
26	203010278	ZHONGHUACAR-16	1	
27	203010222	BMW-16	1	
28	Y203010233	CHANA-3	1	
29	203010212	OBD II -16C	1	
30	203010237	DAEWOO-12	1	
31	203010218	TOYOTA-16	1	

32	203010363	GEELY-22	1	
33	Y203010385	SOYAT-9	1	
34	203010205	CAN DIAGNOSTIC CONNECTOR	1	
35	203010388	VOLVO CAN	1	
36	Y203010386	DELPHI AUTOTUNE CABLE L=2000MM, additional 24V ZENER 1/2W	1	
37	Y203010387	DELPHI AUTOTUNE CABLE L=5000MM, additional 24V ZENER 1/2W	1	

Consumable Parts List

CODE	NAME	REMARKS
199010001	Thermal mini printer paper	For printing
102150010	fuse(5×20mm)	For battery cable w/two clips
102150012	fuse(6×30mm)	For cigarette lighter cable

Accessories List

NO.	CODE	NAME	QTY.
1	107010358	X-431 User's Manual	1
2	108040020	CF Card Writer/Reader Drive Disc	1
3	108040021	X-431 Manual Disc	1
4	108040022	Operation Demonstration Disc	1
5	105020323	X431, PCLINK, USB to RS232 Serial Cable USB1.1 (optional)	1
6	204010295	X-431 PCLINK Program Disc (optional)	1
7	Y203010213	X-431 PCLINK Cable L=15m (optional)	1
8	301020190	X-431 PCLINK configuration (optional) (Note: NO.5, NO.6 and NO.7 included)	1

